



XPort AR™ **Embedded Processor Module**

- ▶ **A fully programmable device computing platform based on corporate IT standards – Cisco®-like CLI, XML, RSS**
- ▶ **Web-enable virtually any electronic device, quickly and easily**
- ▶ **Provide robust “data center grade” security for networked devices**
- ▶ **Offer true IEEE 802.3af compliant pass-through Power over Ethernet (PoE)**



The Flexible, Programmable Device Computing Platform for Building Intelligent, Highly Secure and Network-ready Devices

About the size of three sugar cubes, XPort Architect™(AR) is the first device server solution that goes beyond simple network connectivity to deliver a complete, autonomous and programmable device computing and networking platform.

This Embedded Processor Module builds on our proven XPort serial-to-Ethernet/IP technology that enables device manufacturers to add Ethernet or IP connectivity as a standard feature to their products.

XPort AR includes all the essential device computing and networking features built into a single RJ45 package – including a 120Mhz DSTni™ processor, 10/100 Base-T/TX Ethernet connection, an embedded web server and a full network operating system, including TCP/IP protocol stack.

Featuring Evolution, our powerful new embedded Networking Operating System (NOS), XPort AR now offers the ability to add an unprecedented level of machine intelligence to networked equipment. And it features an extensible, open standards-based software platform for managing the device and delivering information over the enterprise network with “data-center” grade security. The XPort AR also delivers IEEE 802.3af compliant pass-through Power over Ethernet (PoE).

A New Era of Machine Intelligence *Enabling Scalable and Intelligent Device*

As more devices are added to the network, it is increasingly necessary that they are equipped with a certain level of intelligence so they can operate more autonomously. It is not cost-effective or practical to have humans monitoring all of the “edge” equipment on M2M and enterprise networks.

Additionally, as more equipment is networked, the need to access, collect and process the data from that equipment throughout the corporation increases in order to maximize the value of the M2M network. To make this “edge to enterprise” network a reality, the M2M devices need to operate with the same standards as traditional networking equipment found in the IT data center such as servers, routers and switches.

The XPort AR embedded processor module offers standards-based device computing and networking capability. It makes the M2M network scalable by adding an unprecedented level of device intelligence and policy making at the network edge. XPort AR is essentially an “IP computer” built into the device which provides the ability to gather, process and communicate information and then take appropriate pre-programmed actions. More than just a networking co-processor, it offers:

- A powerful 120 MHz processor
- Up to three serial ports
- 13 configurable GPIO pins
- Flash file system with 4Mb of available memory
- 230Kbps serial data rate
- 1.25Mb of SRAM





LANTRONIX® EVOLUTION

Machine2Mainstream™

Integrating Machines and Corporate IT Systems

The benefits of integrating 'edge' M2M networked devices into the more traditional corporate or enterprise network are tremendous.

A unified corporate and M2M network reduces operations costs by more effectively leveraging IT investments. Additionally, this integration differentiates a company's product or service with increased or added value and helps facilitate opportunities such as:

- Asset tracking/accounting (Sarbanes-Oxley compliance)
- Workflow improvement/monitoring/reporting
- Pro-active maintenance services
- Pre-emptive diagnosis
- Fulfillment services

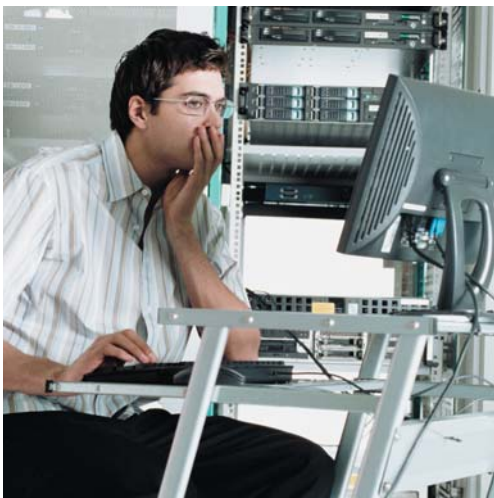
Network-enabled devices increase profits over the lifecycle of equipment, enabling companies to make better use of the most important asset afforded by the networked equipment: the data gathered and information gleaned.

Open Standard and Extensible Technologies

As IT managers are increasingly being asked to integrate M2M edge networked devices at a corporate level, it is important that the tools, technology and architecture on those edge devices meet current data center equipment standards. It is also important that they are easy to integrate and built on extensible and open software technologies.

The Evolution NOS features key integration capabilities including:

- Cisco-like CLI configurability
- XML data transport and configurability
- RSS information feeds



Cisco-like CLI

Making the edge-to-enterprise vision a reality, XPort AR with the Evolution NOS uses industry-standard tools for configuration, communication and control. First, it uses Cisco-like command line interface (CLI) with syntax that is very similar to that used by data center equipment such as routers and hubs.

XML-based Architecture and Device Control

A fundamental building block for the future growth of M2M networks, XML is a standard tool for web services, data transfer and rich content management that encapsulates data into a text-based format. XML-based configuration and setup records in XPort AR make the device configuration transparent to users and administrators and easily editable with a standard text or XML editor. (Microsoft®, for example, already incorporates XML capabilities into the Office software suite.)

RSS

RSS is a rapidly emerging technology used to stream and manage on-line content. RSS support enables users to configure the XPort AR to automatically send back real-time device information over the network to a database. More powerful than simple email alerts, RSS uses XML as an underlying transport and adds intelligence to the networked device while not taxing already overloaded email systems. XPort AR also supports standard SMTP email.

PoE (Power over Ethernet)

XPort AR is the first device server to deliver true IEEE 802.3af compliant pass-through Power over Ethernet (PoE) to edge devices using both Ethernet pairs. Eliminating the need for an external power supply and associated electrician labor costs, XPort AR is ideally suited to add networking functionality in security control, medical, financial, energy metering and building automation applications.

Enterprise-grade Security

Without the need to disable any features or functionality, Evolution's hardened OS provides XPort AR the highest level of security possible. This 'data center grade' protection ensures that each device on the M2M network carries the same level of security as traditional IT networking equipment in the corporate data center.

With built in SSH and SSL, XPort AR has robust defenses to hostile Internet attacks such as denial of service (DoS) and port mapping that can be used to take down the network. XPort AR also cannot be used to bring down other devices on the network. SSH includes robust key management algorithms that:

- Verify the data received came from the proper source
- Validate that the data transferred from the source over the network is non-changed when it arrives at its destination (shared secret and hashing)
- Provide ability to run popular M2M protocols over a secure SSH connection

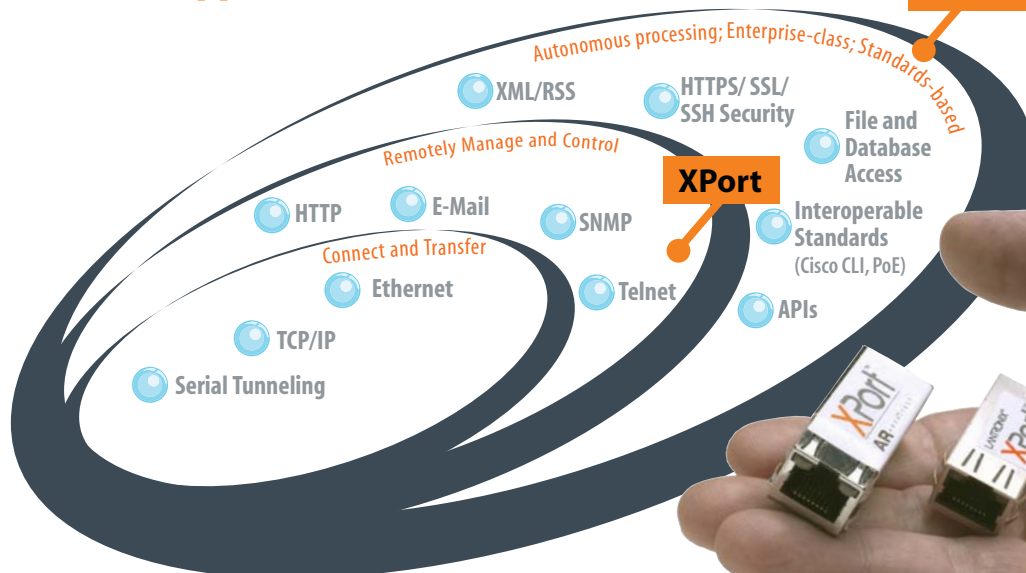
The XPort AR supports a variety of popular cipher technologies including AES, 3DES and RC4 and hashing algorithms such as SHA 1 and MD5. Additionally, SSL ensures secure web-based communications.

Ease of Use and Flexibility

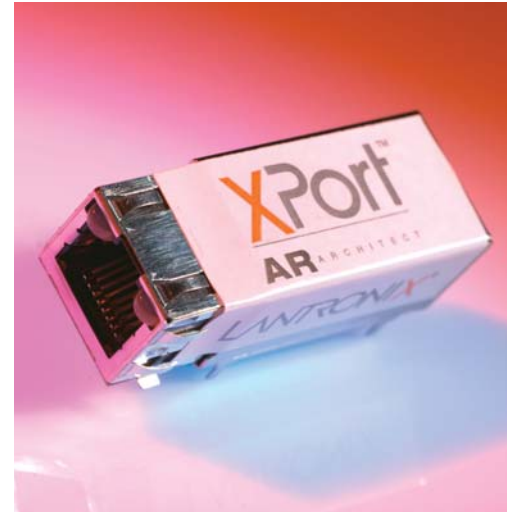
XPort AR is ideal for companies where networking is not a core competency. The network-enabled programmable module allows designers to focus their attention on code and hardware that serves to differentiate their product, reducing costs and time to market.

Accelerating the OEM development process and reducing associated cost, XPort AR features built in manufacturing testing. With pre-loaded tests, engineers do not need to create them or load them individually. This time-saving feature can dramatically slash development time. The new hardware also features the flexibility of I2C, SPI, USB and CAN Bus interfaces, external interrupts (including one non-maskable) and timer input.

XPort and XPort AR Family of Applications



XPort is an extremely fast solution for Serial-to-Ethernet data tunneling. The new XPort AR embedded processor adds advanced computing, Machine2Mainstream and communication capabilities.



XPort AR with Evolution

Example Applications

- Real-time asset tracking
 - Integration with enterprise ERP
- Secure metering
 - SSH
- Networked PoE Access Control
 - Save power supply and installation costs
- POS Transaction Automation Terminal
 - Central processor managing system and I/O

XPort AR + Evolution



Features and Specifications

Architecture

- CPU: Based on the DSTni-EX enhanced 16-bit, 120MHz x86 Architecture
- Memory: 1.25MB RAM and 4MB FLASH
- Firmware: upgradeable via FTP, TFTP, Serial Ports, Internal Web Server
- Diagnostics: Built in diagnostics and comprehensive statistics

Network Interface

- Interface: Ethernet 10Base-T or 100Base-TX (Auto-Sensing)
- Connector: RJ45
- Layer3 Protocols: TCP, UDP, IP, ARP, ICMP, SSH, SSL, XML, HTTP, PPP, PAP, CHAP, DNS, SMTP, RSS, DHCP, BOOTP, AutoIP, SNMP, FTP, TFTP, Telnet, CGI

Serial Interface

- Interface: CMOS (Asynchronous, 5V tolerant)
- Data Rates: 300 bps to 230,400 bps(selectable by 1bps increments)
- Characters: 7 or 8 data bits
- Parity: odd, even, none
- Stop Bits: 1 or 2
- Control Signals: RTS, CTS, DSR, any PIO
- Flow Control: XON/XOFF, RTS/CTS, User Selectable Characters

Indicators (LED)

- 10 or 100 Base-T, Full/Half-Duplex
- Link & Activity indicator-

Operating System

- RTOS Kernel with pre-emptive scheduler, multithreading, memory management semaphores and flash file system

Management

- Cisco-CLI, Internal Web Server, XML, Serial, Telnet, SSH, SSL, RSS, SNMP
- Microsoft Windows-based utility for configuration

Security

- SSH Client & Server, SSL, 128/256/512/1024-bit AES (Rijndael), 3DES and RC4 Encryption, Public/Private-keys, and password protection
- SHA-1, MD5 Hashing Algorithms
- Base-64 & Digest Authentication
- User access lists
- Hardened OS and Protocol Stacks

Internal Web Server

- Fully Brand-able
- 1.3MB internal directory-/file-based file system
- CGI/CSS based
- SSL supported

Power

- Input voltage: 3.3 VDC

Environmental

- Operating: -40° to +85°C (-40° to +185°F)
- Storage: -40° to +85°C (-40° to +185°F)

Packaging

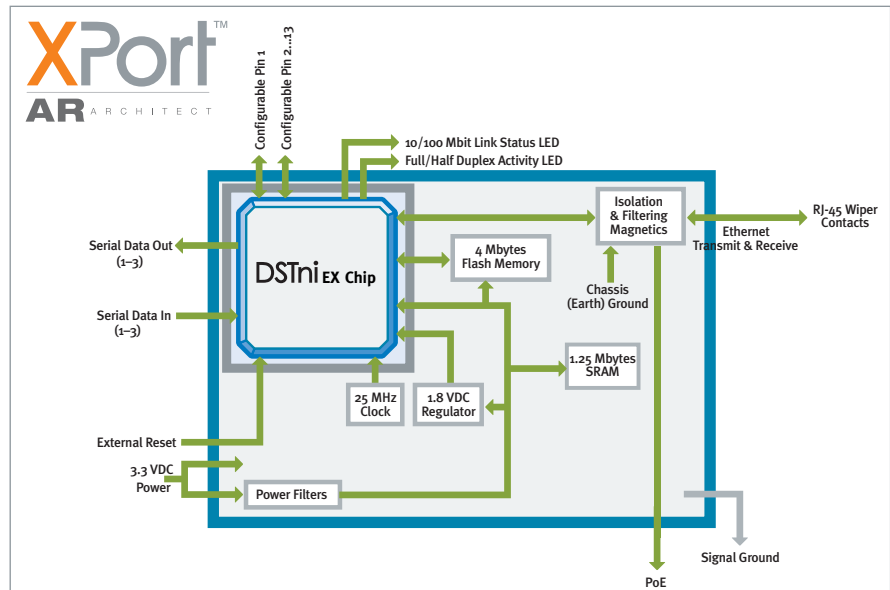
- Dimensions: 45.7 x 16.51 x 17.8 mm (1.80 x .65 x .70 in)
- Weight: 20 g (0.7 oz)

Warranty

- 2-year limited warranty

Evolution Architecture

APPLICATIONS	TUNNELING		COMMAND & CONTROL		3rd PARTY		
APPLICATIONS SUPPORT	WEB MANAGER		XML	RSS	CONFIGURATION STORE	CFG LOGGING	
SECURITY	SSH		SSL		PACKET FILTER	PAP	
	SHA-1	MD5	3DES	AES		RC4	CHAP
NETWORK	UDP	HTTP	CGI	DNS	RS232 MIB	MIB II	FTP
		TCP	ICMP	PPP	SNMP	DISCOVERY	TFTP
	IP	ARP	AUTO-IP	HDLC	DHCP		BOOTP
DRIVERS	MANUFACTURING TESTS		WATCH DOG		EEPROM		
	ETHERNET		SERIAL LINES		FLASH DRIVER	PIO (CP) DRIVER	
KERNAL	THREADING MODULE		BUFFER POOLS		SEMAPHORES	TIMERS	
	PREEMPTIVE SCHEDULER		MEMORY (HEAP) MODULE		MUTUAL EXCLUSIONS		



Included Software

- Evolution Network Operating System
- MS Windows®-based DeviceInstaller™ software and MS Windows-based Com Port Redirector

Part Number Description

- | | |
|--------------|--------------------------|
| XP3002000-01 | XPort AR |
| XP3002005-01 | XPort AR Sample |
| XP300200K-01 | XPort AR Development Kit |

XPort AR Evaluation Kits are available, contact Lantronix for details.



Distributed by:

Grid Connect Inc. 1841 Centre Point Cr. #143 Naperville, IL 60563

+1 630 245-1445, +1 630 245-1717 FAX

www.gridconnect.com | www.ipenabled.com | www.factorycomm.com