

# DSTni-EX Evaluation Kit

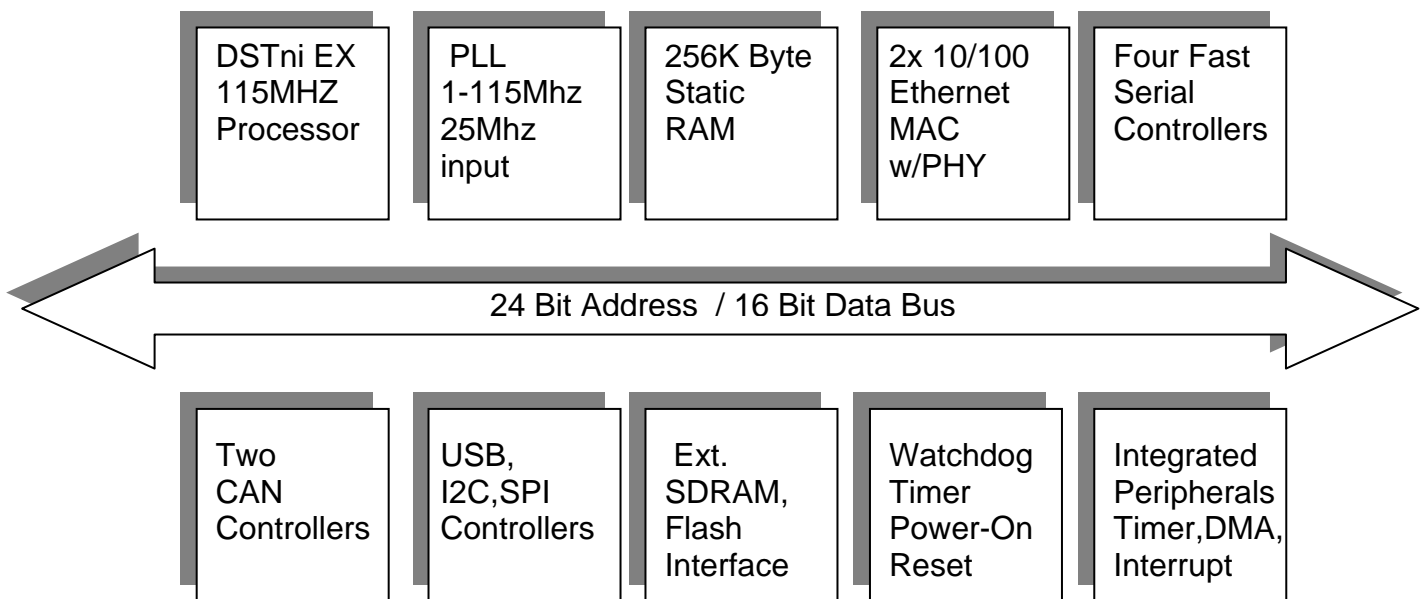
## System-on-Chip Microprocessor

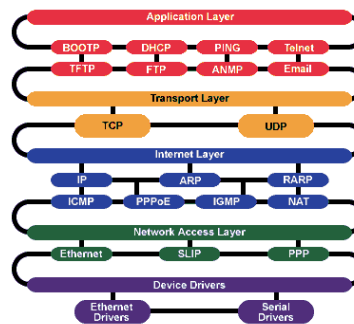
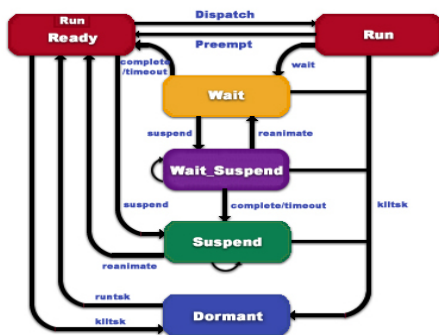
### Fact Sheet



### Key Features & Benefits

- DSTni EX 115Mhz 30+ MIP Microprocessor**  
 DSTni EX and Intel/AMD compatible x86 microprocessor with on-chip peripherals providing 30+ MIPS of high-speed performance
- Two 10/100Mbps Ethernet Controllers**  
 with two built-in MACs and one on-chip PHY interface, 32 byte FIFOs
- Four High Performance Serial Ports**  
 with RS232/422/485 RTS/CTS and DMA support with baud rate support up to 230K+
- 256K bytes of SRAM**  
 internal zero wait state memory
- Integrated Peripherals**  
 3 DMA, interrupt controller, 3 timers, and external memory select logic
- Simple Hardware Platform**  
 10/100M Ethernet, 2 Serial Ports, cables and power supply included
- DSTni OS & TCP/IP Software Suite**  
 Royalty FREE Binary Operating System
- Paradigm Evaluation Compiler/Tools**  
 Full evaluation, upgradeable
- Turbo Software Debugger via Serial Port**  
 Full software debugging
- Source Code Stack Available**  
 Protocols for DeviceNet, Profibus, Ethernet/IP, Modbus TCP, Modbus,...
- Development Kit Available**  
 Same Paradigm software – full licence  
 FS/2 Hardware JTAG Debugger  
 Software compatible with DSTni OS, TCP/IP





**Description:**

The GC-DK-EX evaluation kit is a simple low cost kit that allows a user to play with the DSTni-EX chip, software and development tools. The GC-DK-EX kit has the same DSTni and Paradigm software available in the full development kit, but the Paradigm key only allows use for 30 days. An upgrade can be purchased for the Paradigm software to provide the user with a fully licensed version. The DSTni OS and TCP/IP software is a binary version of the operating system and is designed for the LX and EX chips. DSTni OS has a rich set of calls and allows you to develop real-time applications including web-server and email. More detailed manuals are available for the chip, operating system, and protocol stack. To request these manuals, please send your request to support@gridconnect.com.

**Ordering Information:**

Evaluation Kit Part Number:  
Description:

**GC-DK-EX**  
A small evaluation board with EX chip, power supply, DSTni OS binary software, evaluation copy of Paradigm C/Tools, cables and doc.

Development Kit Part Number:  
Description:

**GC-DK-EX3**  
A evaluation board with JTAG connector, 2 serial ports and one 10/100 Ethernet port, DSTni OS binary software, Full licensed copy of Paradigm C/Tools, FS/2 JTAG Hardware ICE emulator, cables and documentation.

**Grid Connect Inc.**  
1841 Centre Point Circle Suite 143  
Naperville, Illinois 60563 USA  
+1 630 245-1445 Phone  
+1 630 245-1717 FAX  
sales@gridconnect.com  
<http://www.gridconnect.com> (order on-line)