

5.8GHz

The definitive 1.54 Mbps wireless line-of-sight 5.8 GHz point-to-point Ethernet bridge.

The AW5800i replaces costly wiring with a wireless Ethernet bridge that can enable remote Wi-Fi APs, Ethernet pan/tilt/zoom security cameras, VoIP phones or Internet Kiosks. AvaLAN's product offers the ideal combination of price, range, data rate, security, interference avoidance, quality-of-service and ease-of-use.



AW5800i Kit - \$699 (MSRP)

Long-range 5.8 GHz wireless indoor Ethernet bridge. Includes:

- (2) AW5800 radios with RPTNC connectors
- (2) 110 VAC-6 VDC power supplies
- (2) AW5-5800 5dBi omni-directional antennae.

[\[or upgrade to AW23-5800\]](#)

Features:

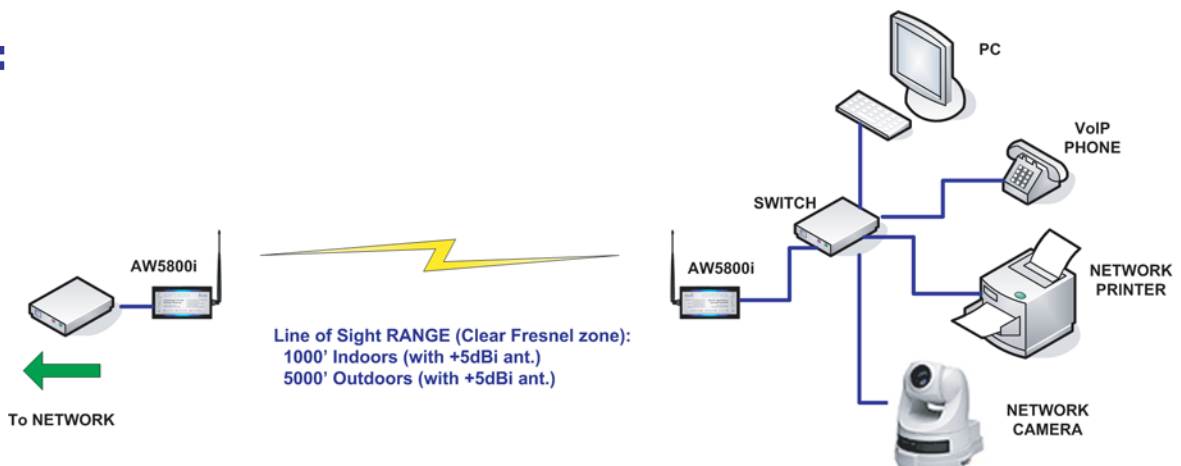
- High RF output power and exceptional receive sensitivity provides ultra long range wireless Ethernet bridging up to 30 miles.
- Does not interfere with Wi-Fi networks.
- 128bit encrypted with dynamic private keys
- Highest Quality of Service (QoS) available - Synchronous point to point protocol enables applications that require low data latency and jitter (ex. surveillance video and VoIP).
- Simple plug and play - pre-configured as matched pairs with no user programming required.
- 58 non-overlapping channels with frequency agility to avoid interference.
- Operates in the 5.725 - 5.850GHz band and does not require an FCC license to operate or install.



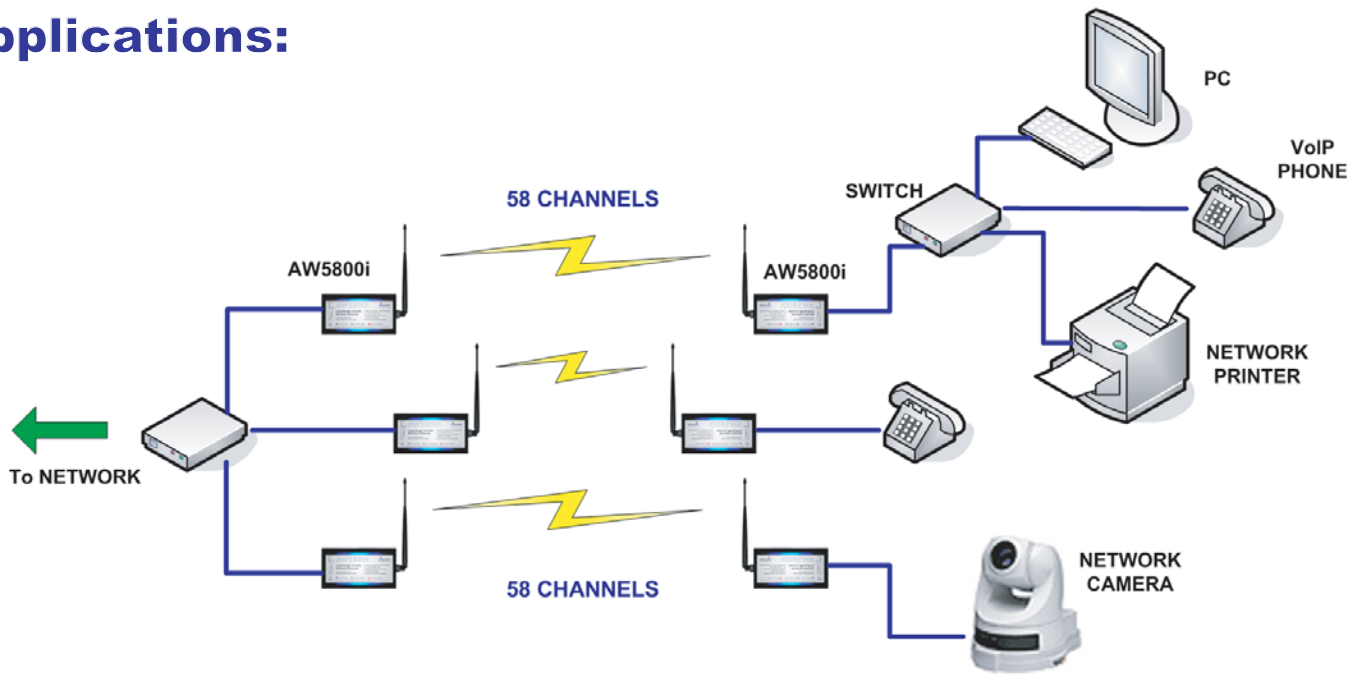
The Best Solution When:

- A Broadband Ethernet drop will cost too much or is impractical to install.
- 900Mhz and 2.4Ghz are saturated due to interference. (Airport/Campus/Mall/City)
- Guaranteed DSL-rate throughput is required. (Kiosks/Wi-Fi APs/PTZ Cameras)
- Guaranteed latency for voice or video is required. (VoIP/PTZ Cameras)
- An indoor long-range broadband backhaul is required.

Range:



Applications:



Technical Specifications:

Characteristic	Specification - description (typical)
RF transmission rate:	1.563 Mb/s
Ethernet Throughput:	1.01 Mb/s
Output power:	+20dBm (20 Watts EIRP when used with 23dBi antennae AW23-5800)
Receive sensitivity:	-98dBm at 10e-4 BER (-121dBm with 23dBi antennae AW23-5800)
Radio link budget:	128dB with 5dBi antenna AW5-5800 164dB with 23dBi antennae AW23-5800
Line of Sight Range:	1 Mile Line of Sight with 5dBi antenna AW5-5800 40 miles Line of Sight with 23dBi antennae AW23-5800
Radio channels/bandwidth:	58 Non-overlapping with 2.0833MHz spacing and 1.75MHz occupied bandwidth
Automatic frequency select:	Yes - radio channel automatically selected and adaptively optimized
Connector types:	RF RPTNC Female / Ethernet RJ45 10BaseT / Power Jack P5-2.1mm ID
Status LEDs:	Power, Ethernet Link, RF RX, RF TX, 6/Channel and 6/Link Quality
Error correction technique:	Sub-block error detection and retransmission.
Regulator type:	Linear Regulator
Power consumption:	Transmit - 1.8W Receive - 1.0W
Voltage:	6VDC at P5 power jack (center positive).
Temperature range:	-40°C to 70°C
Transmit current draw:	400mA at 6VDC
Power over Ethernet 802.3af:	Use with 5VDC splitter with P5 connector. Linksys WAPPOE recommended.
Size:	150 x 85 x 35 mm

Ordering Information:

Part number	Price	Description	Contents
AW5800i	MSRP \$699	Long Range 5.8 GHz Wireless Ethernet Bridge Kit	2 - AW5800i Radio Transceivers 2 - AW5-5800 5 dBi Antenna 2 - 110VAC to 6VDC Power Supplies



1630 Diehl Road
Naperville, Illinois 60563 USA
+1 630 245-1445, +1 630 245-1717 FAX